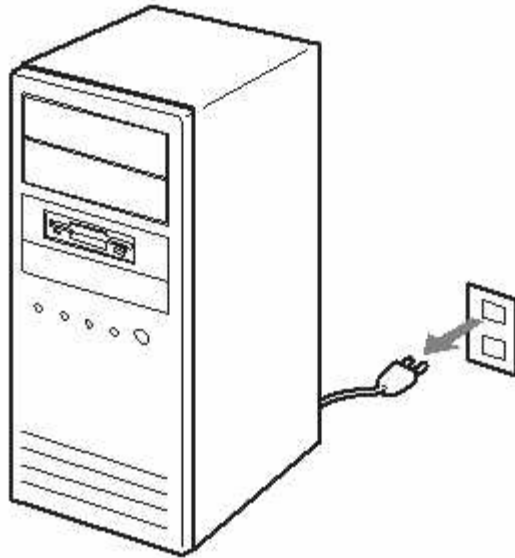


Installation Quick Start Guide:

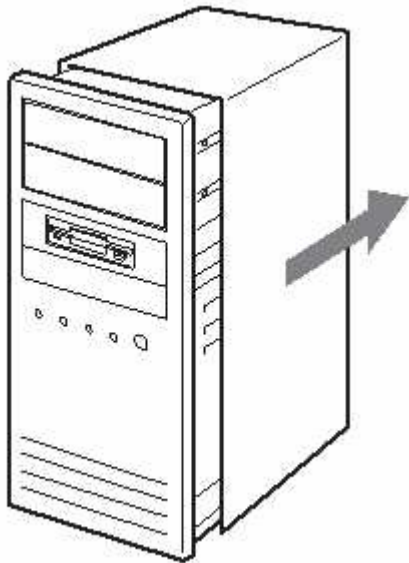
Hardware system requirements: Intel Pentium III 800 MHz and 256 MB memory

Installation procedure:

1. With the computer shut down disconnect all cables plugged into the computer.



2. Open up your computer. Remove the computer's cover.

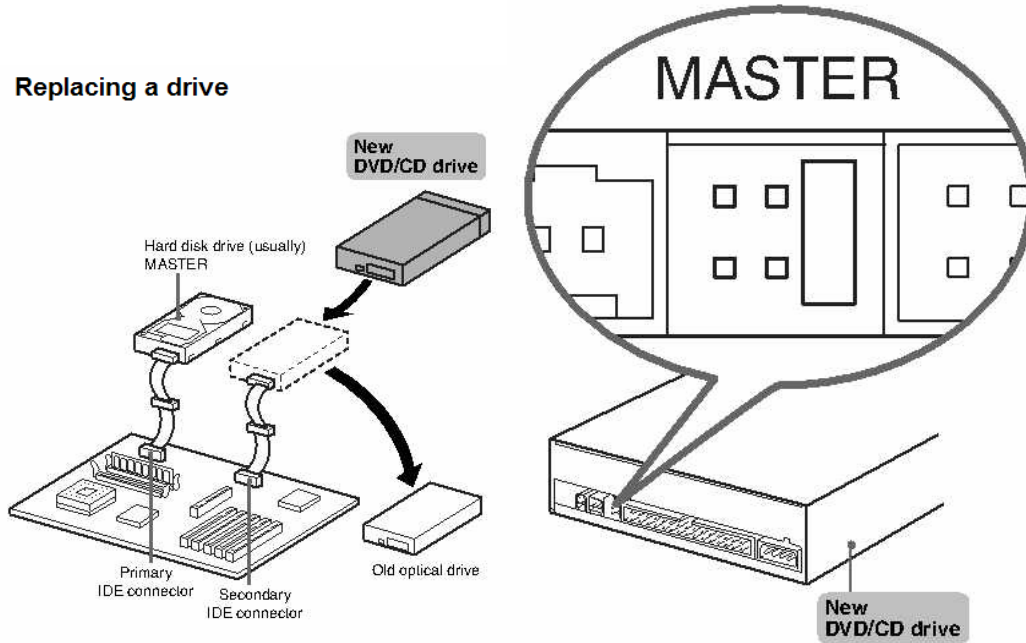


3. Touch a non-painted metal surface (i.e. the power supply) to ground yourself. You can damage the components inside the computer if you do not ground yourself.

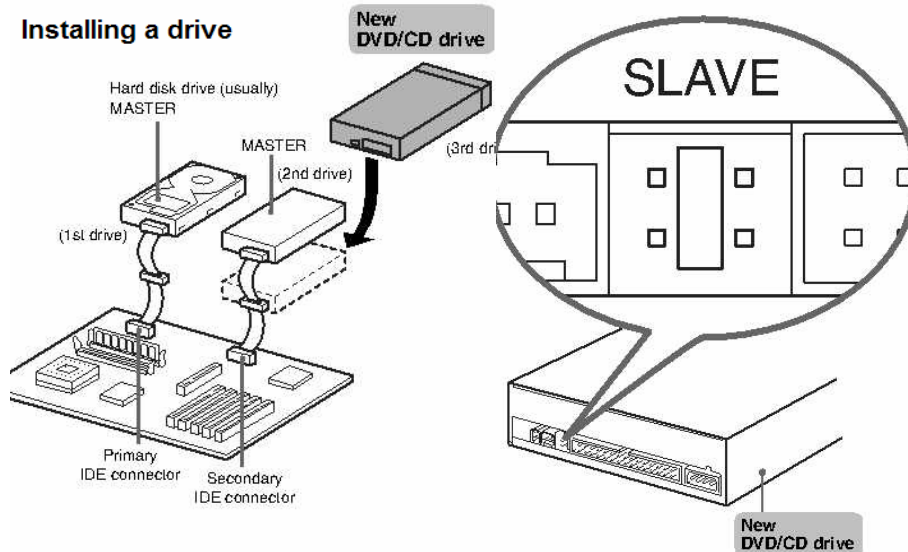
- Determine which MASTER, SLAVE, or CABLE SELECT setting you'll be using by connecting the jumper accordingly. The jumper is a small piece of plastic covering the 2 pins just to the left of the IDE 40-pin interface port if you are looking directly at the rear of the drive. The Master setting is set by covering the 2 pins furthest to the right, the Slave is the center 2 pins, and Cable Select is set by the 2 pins furthest to the left.

When two drives are connected to the same IDE cable, one must be set to MASTER, and the other one must set to SLAVE. Or both drives set to CABLE SELECT if your computer is equipped with a special Cable Select cable. If only one drive connected, set the jumper to MASTER.

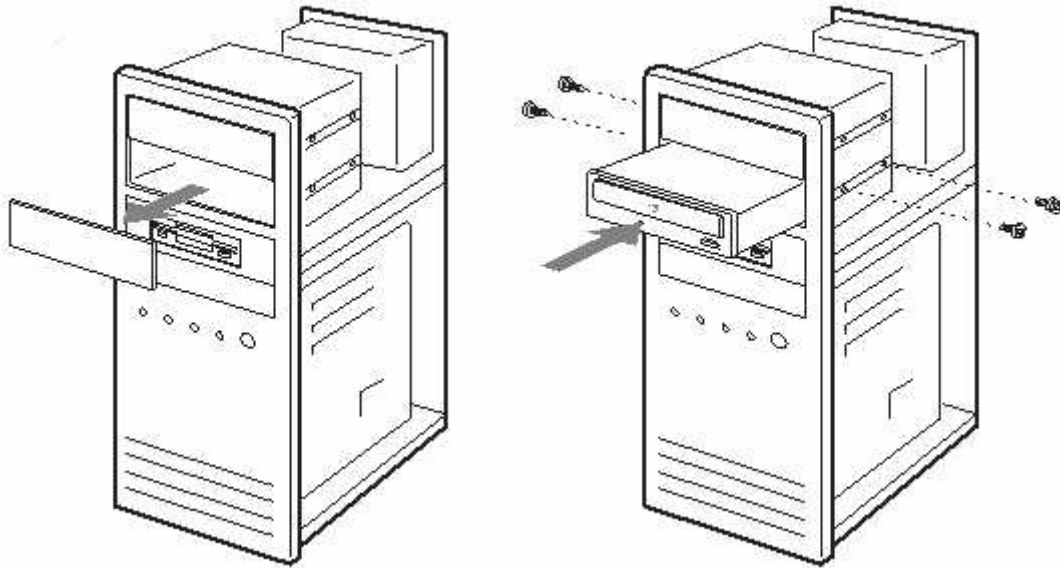
Replacing a drive



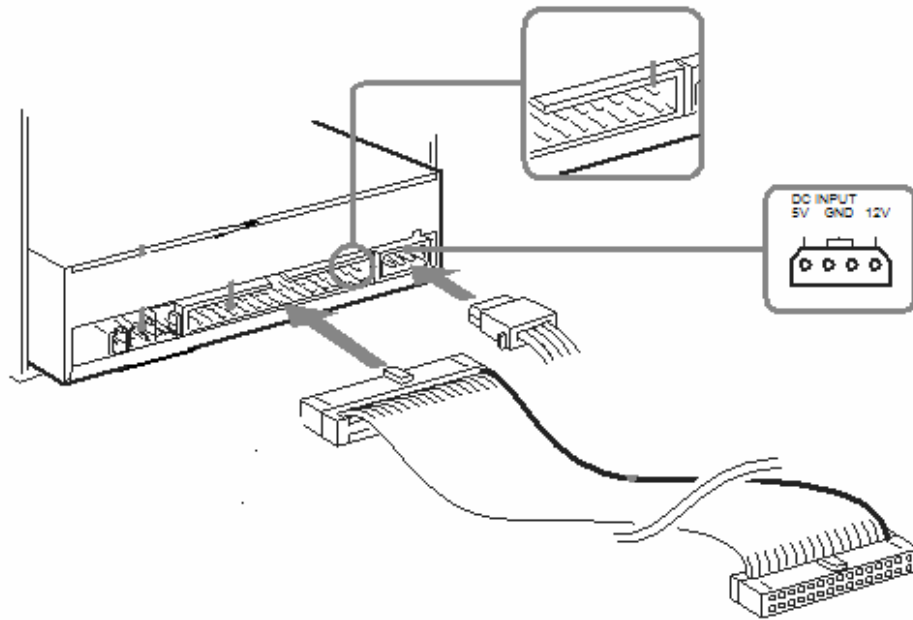
Installing a drive



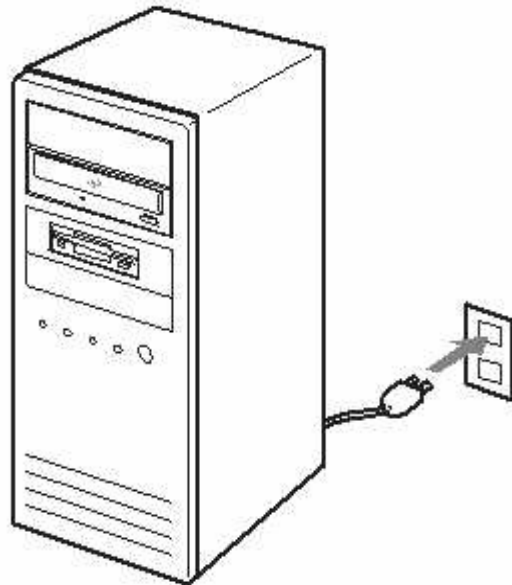
5. Slide the optical drive into the drive bay from the front of the computer; make sure you don't let the drive touch any electronic components in the computer.
6. Mount the drive to your computer using the provided screws or provided mounting hardware.



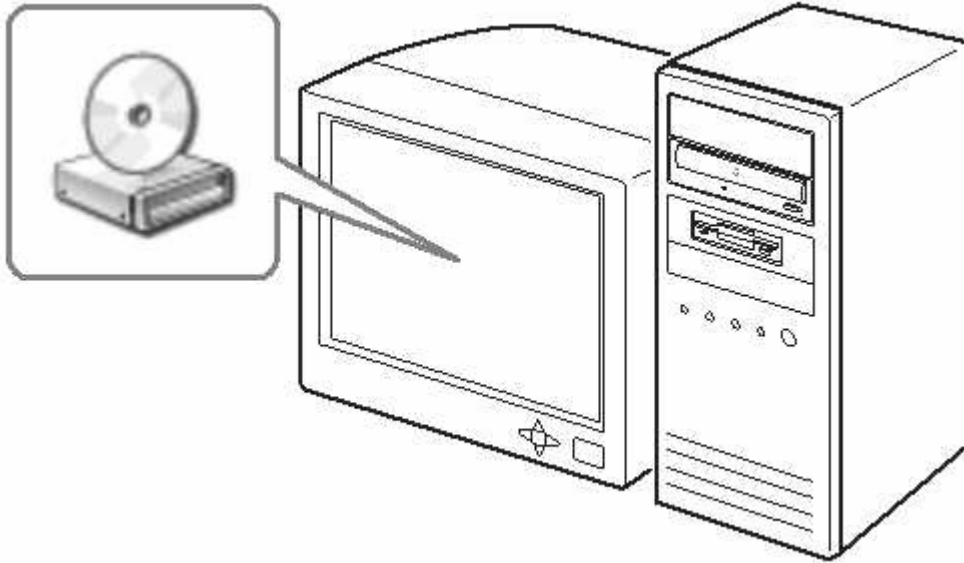
7. Connect one end of a 40-pin IDE cable to the IDE interface port on the rear of the optical drive. Pin 1 of the cable (marked red) must be oriented toward pin 1 of the optical drive connector. The cable connector is keyed so that it fits in only one way. If the drive is set as MASTER, connect it to the endmost connector on the IDE cable.



8. Connect the other end of the 40-pin IDE cable to the interface port on the controller card or motherboard, again aligning pin 1 to pin 1.
9. Connect the power cable to the drive. These are the multicolored cables extending from the power source inside the computer.
10. Check to make sure the connections between the drive and the computer are firm. Reconnect the peripheral cables and then the power cables. Start your computer.



11. Ensure the drive is detected by the Windows operating system.



12. Then replace the computer's cover.

